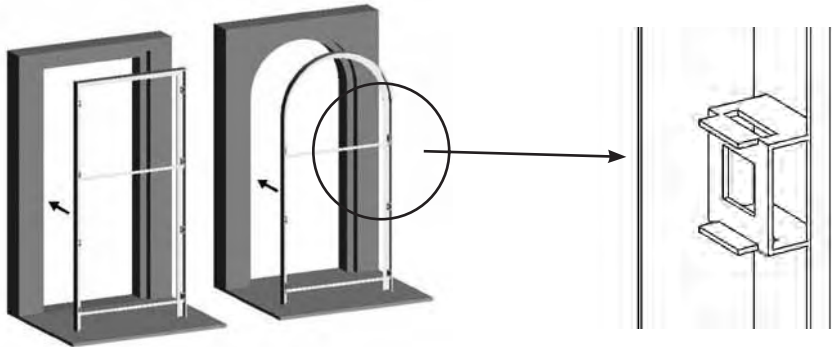


## TECHNICAL DETAILS

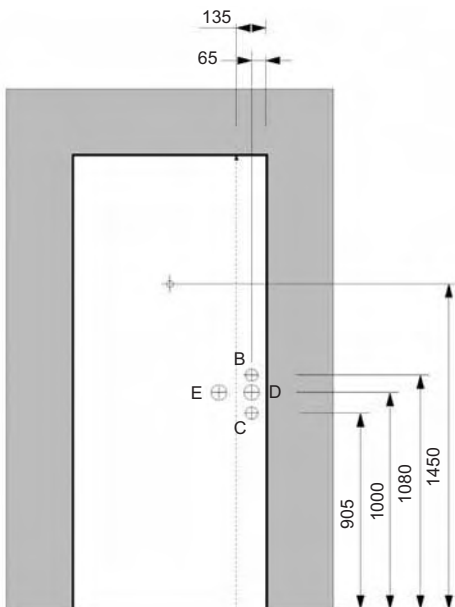
### COUNTERFRAME

In press bent steel sheet 25/10 mm thick, powder varnished similar to RAL 8019 brown (VALIDA model) or similar to RAL 7016 anthracite grey. It is shipped in one piece and can be delivered before the supply of the door. Fixing brackets are positioned on the uprights to match the frame. The two metal spacers help to correctly fix the structure in the wall: once the fixing is consolidated, spacers must be removed.



Detail of fixing brackets of the frame to the counterframe

### STANDARD POSITIONING OF CYLINDERS, KNOBS AND SPY HOLE

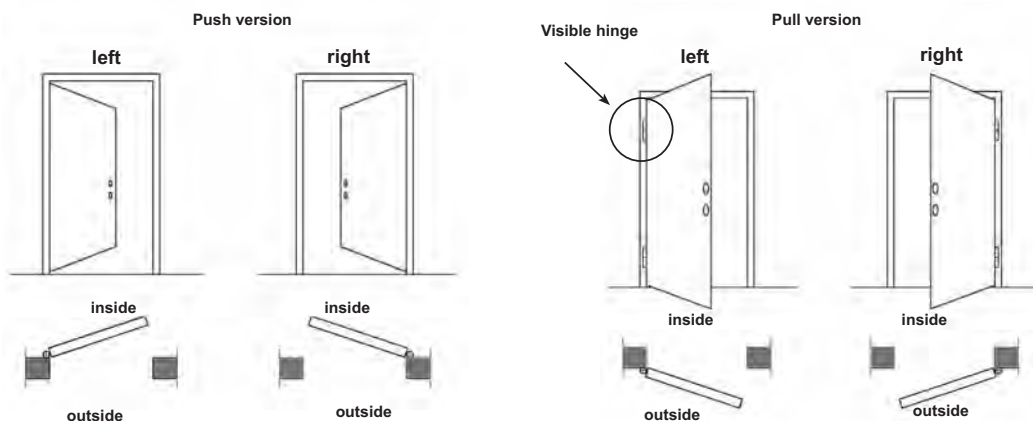


- A** spy hole grand angle: only if requested in the order.
- B** cylinder with protection rose and external ring (included in standard supply for Perfecta and Maxima)
- C** cylinder with protection rose and external ring
- D** egg shaped knob
- E** fixed knob

(Nominal or theoretical sizes expressed in mm and depending on the model of the covers)

### OPENING DIRECTION

Silvelox doors are certified burglar resistant only for push version (right or left). Valida model is not available in the pull version.



**SILVELOX**  
le porte per eccellenza

Silvelox S.p.A. - I 38050 CASTELNUOVO (TN) - Viale Venezia, 37  
Tel. +39 0461 755 755 - Fax +39 0461 752 466  
[www.silvelox.com](http://www.silvelox.com) - [silvelox@silvelox.com](mailto:silvelox@silvelox.com)