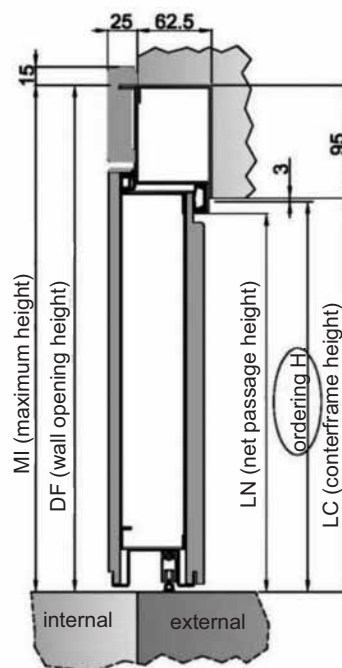
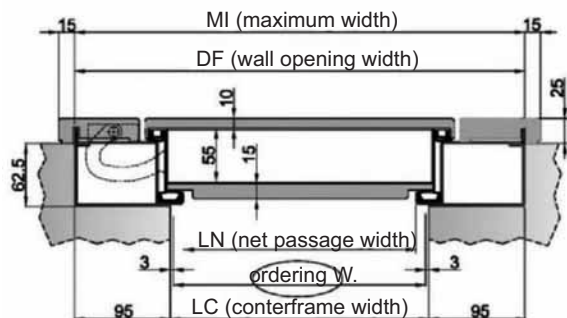


**SILVELOX**  
le porte per eccellenza

Entrance doors  
**SIZE TABLES**

## PERSEO and MAXIMA: STANDARD frame and counterframe match

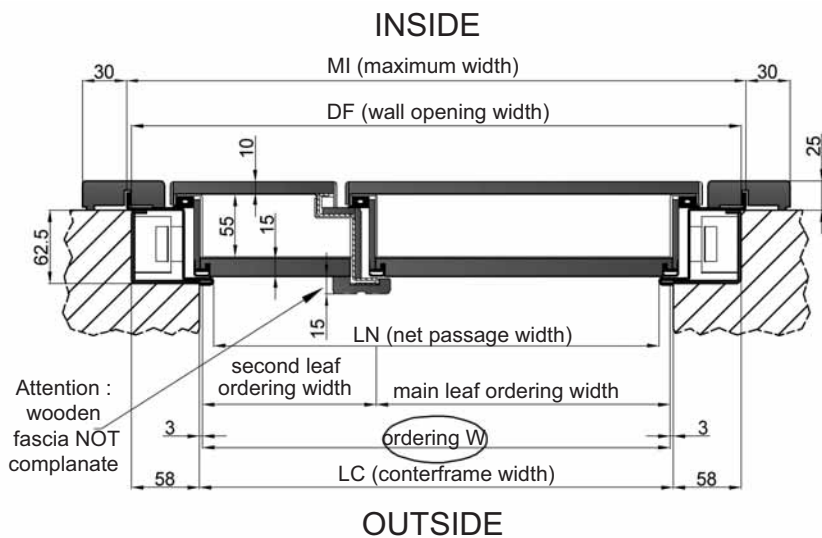
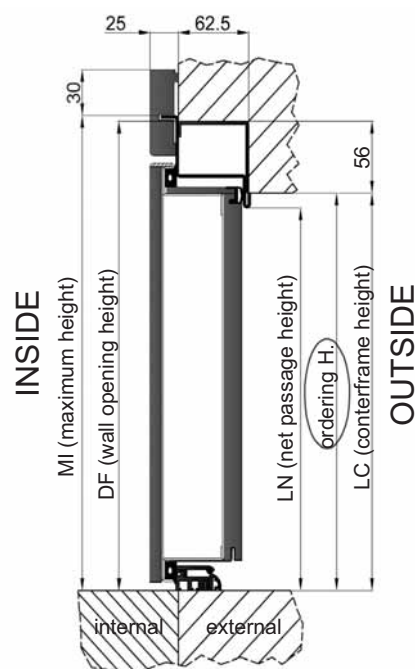
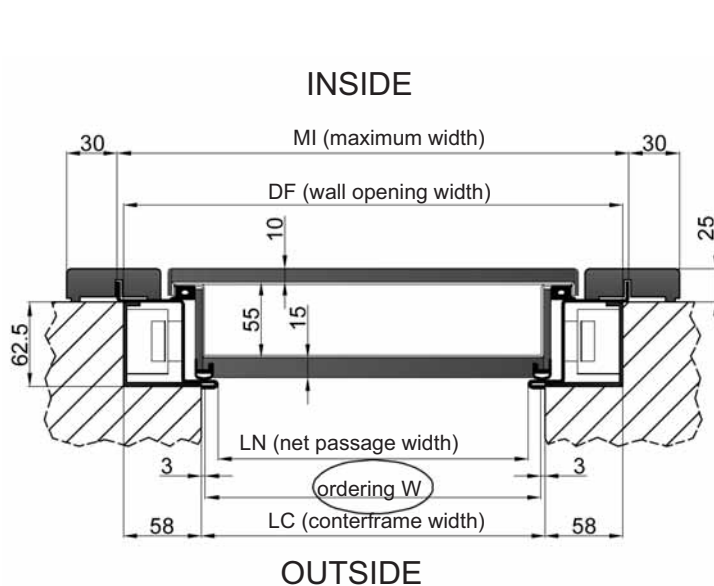


		W				H
		800	850	900	2100	
Ordering size		800	850	900	2100	
Maximum size	MI	996	1046	1096	2198	
Counterframe passage	LC	806	856	906	2103	
Net passage	LN	780	830	880	2090	
Wall opening size	DF	996	1046	1096	2198	

**ATTENTION:** Max. sizes are calculated according to component sizes (frame and counterframe), but for installation you need to consider a 5 mm space on both sides.

Drawings referred to PERSEO model but sizes are valid also for MAXIMA

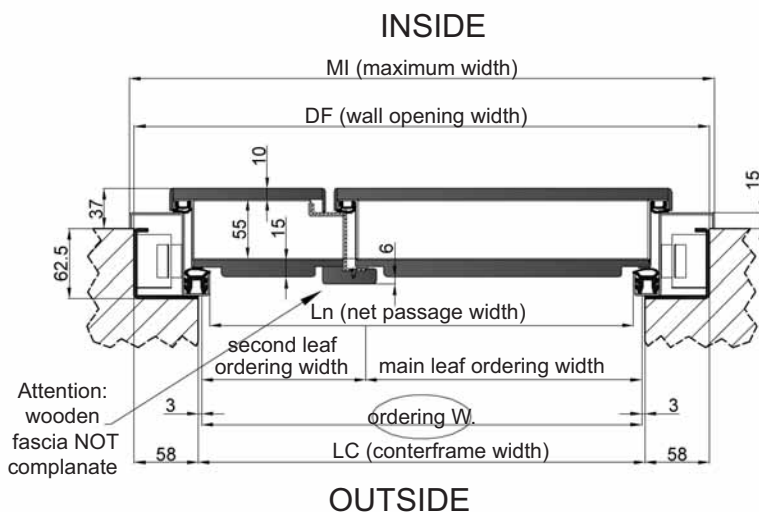
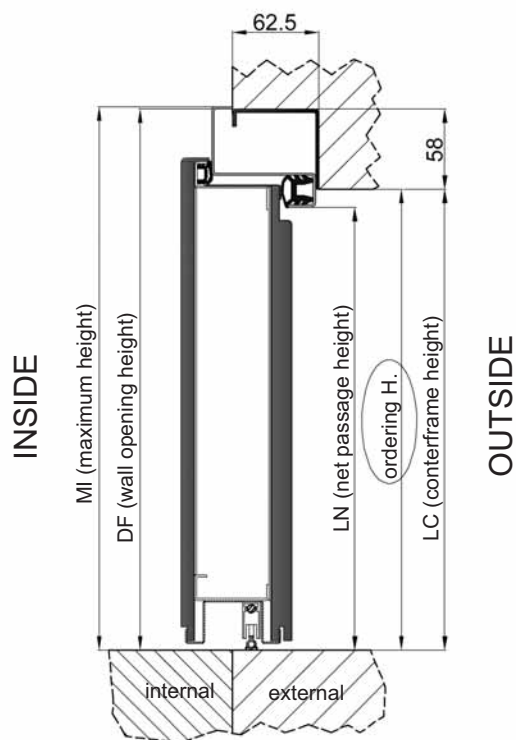
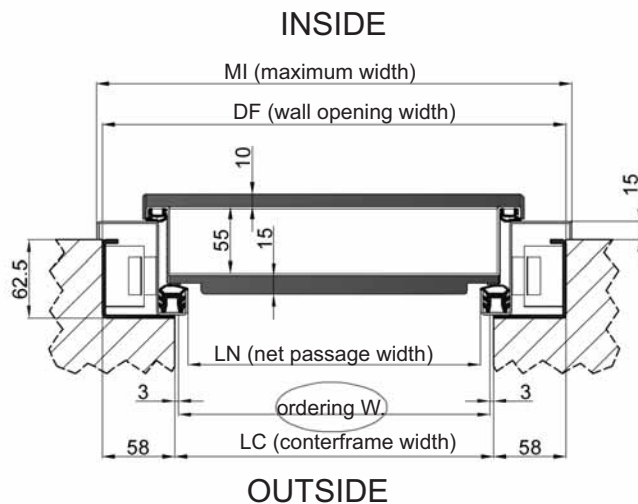
# PERFECTA and FLAMMA PLUS: STANDARD frame and counterframe match



		W				H
Ordering size		800	850	900	2100	
Maximum size	MI	932	982	1032	2165	
Counterframe passage	LC	806	856	906	2105	
Net passage	LN	780	830	880	2090	
Wall opening size	DF	922	972	1022	2161	

**ATTENTION:** Max. sizes are calculated according to component sizes (frame and counterframe), but for installation you need to consider a 5 mm space on both sides.

# MEDEA, COMPAKTA, SIKURA: STANDARD frame and counterframe match

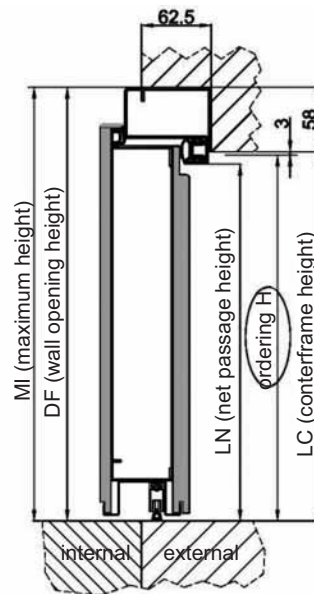
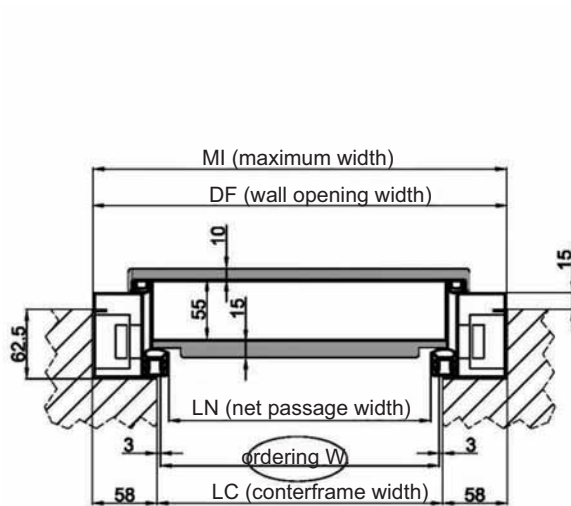


		W			H
<b>Ordering size</b>		<b>800</b>	<b>850</b>	<b>900</b>	<b>2100</b>
Maximum size	MI	932	982	1032	2163
Counterframe passage	LC	806	856	906	2103
Net passage	LN	780	830	880	2090
Wall opening size	DF	922	972	1022	2158

**ATTENTION:** Max. sizes are calculated according to component sizes (frame and counterframe), but for installation you need to consider a 5 mm space on both sides.

Drawings referred to COMPAKTA model but sizes are valid for all series mentioned above

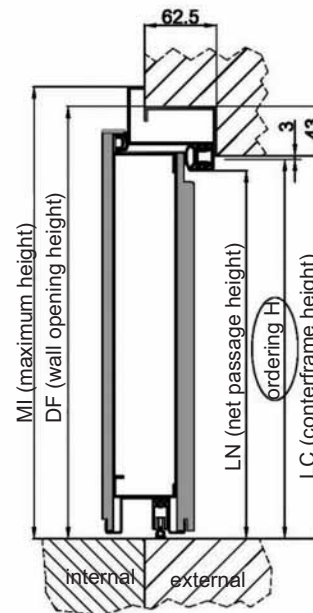
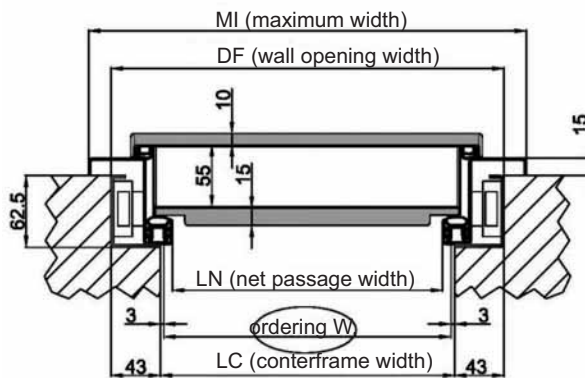
## MEDEA, COMPAKTA, SIKURA: REDUCED frame



		W				H
Ordering size		800	850	900	2100	
Maximum size	MI	920	970	1020	2160	
Counterframe passage	LC	806	856	906	2103	
Net passage	LN	780	830	880	2090	
Wall opening size	DF	920	970	1020	2160	

**ATTENTION:** Max. sizes are calculated according to component sizes (frame and counterframe), but for installation you need to consider a 5 mm space on both sides.

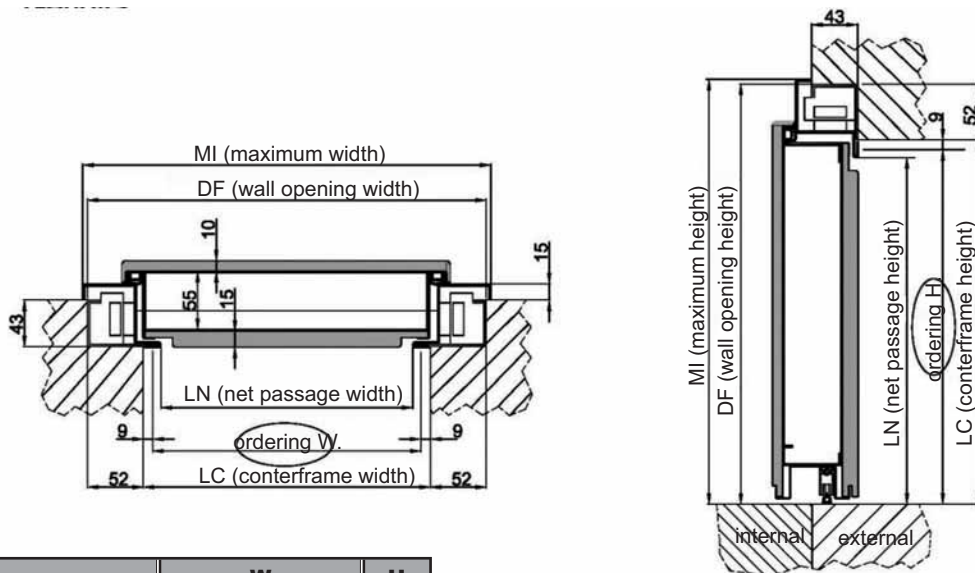
## MEDEA, COMPAKTA, SIKURA: SUPER REDUCED counterframe



		W				H
Ordering size		800	850	900	2100	
Maximum size	MI	930	980	1030	2165	
Counterframe passage	LC	806	856	906	2103	
Net passage	LN	780	830	880	2090	
Wall opening size	DF	890	940	990	2145	

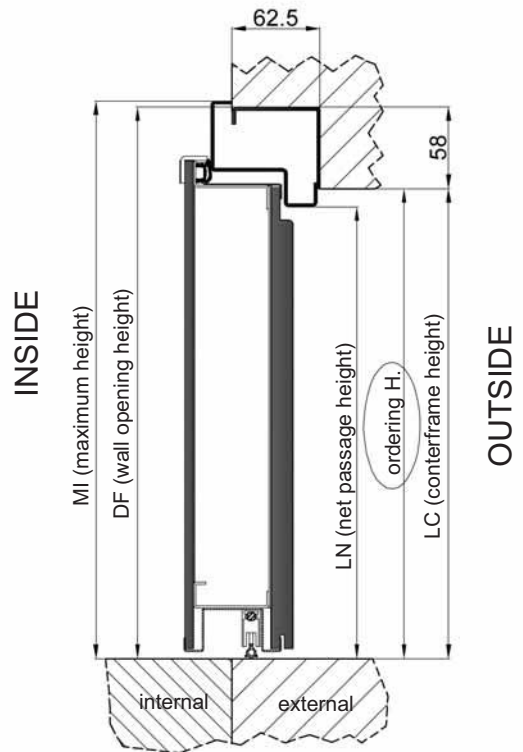
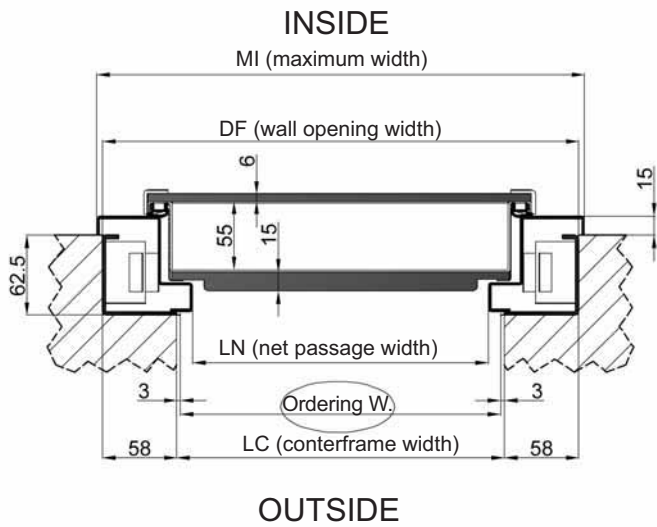
**ATTENTION:** Max. sizes are calculated according to component sizes (frame and counterframe), but for installation you need to consider a 5 mm space on both sides.

## MEDEA, COMPAKTA, SIKURA: GENOVA type counterframe



		W			H
Ordering size		800	850	900	2100
Maximum size	MI	930	980	1030	2165
Counterframe passage	LC	818	868	918	2109
Net passage	LN	780	830	880	2090
Wall opening size	DF	922	972	1022	2161

**ATTENTION:** Max. sizes are calculated according to component sizes (frame and counterframe), but for installation you need to consider a 5 mm space on both sides.



VALIDA		W			H
Ordering size		800	850	900	2100
Maximum size	MI	932	982	1032	2163
Counterframe passage	LC	806	856	906	2103
Net passage	LN	780	830	880	2090
Wall opening size	DF	922	972	1022	2158

**ATTENTION:** Max. sizes are calculated according to component sizes (frame and counterframe), but for installation you need to consider a 5 mm space on both sides.

# SILVELOX

le porte per eccellenza

Size tables  
Entrance doors

SILVELOX S.p.A.  
I-38050 - Castelnuovo (Trento)  
Viale Venezia, 37  
Tel. +39 0461 755 755  
Fax +39 0461 752 466  
[www.silvelox.com](http://www.silvelox.com)  
[silvelox@silvelox.com](mailto:silvelox@silvelox.com)

